



KODIAK CONTROLS



MODEL 'KC101D', BOTTOM CONNECTED GAUGE

- An inexpensive utility gauge for the broad commercial and industrial markets.
- Suitable for air, water, oil, gas or any other media not corrosive to brass.
- Other connection locations, mounting styles and accessories available.
- Ready for immediate shipment upon request.

AVAILABLE DIAL SIZES:

1 1/2", 2", 2 1/2", 3 1/2", 4 1/2"

AVAILABLE CONNECTION SIZES:

1/8"NPT on 1 1/2" and 2"Dial Sizes

1/4"NPT on 2" Thru 4 1/2"Dial Sizes

GENERAL SPECIFICATIONS:

Black Steel Case With Chrome Bezel

Brass Socket And Movement

Phosphor Bronze Bourdon Tube

Dry Non-Fillable

3-2-3 % Accuracy

Ambient Temperature: -50 to 160°F



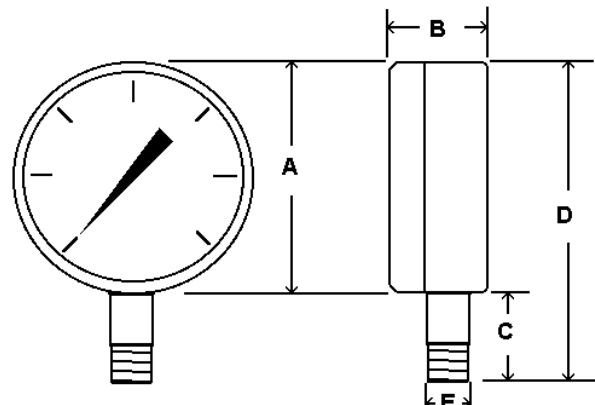
DIAL SCALE:

DUAL SCALE: PSI & BAR (x100=kPa) STANDARD

SINGLE SCALE: PSI ONLY AVAILABLE

OTHER: BY SPECIAL REQUEST

RANGE	CODE	Major Inc.	Minor Inc.
30/0"VAC	A	5" hg	.5" hg
30/0/15	CB	10"hg / 5 psi	1"hg / .5 psi
30/0/30	CC	10"hg / 10 psi	1"hg / 1 psi
30/0/60	CD	10"hg / 10 psi	2"hg / 1 psi
30/0/100	CE	30"hg / 20 psi	5"hg / 2 psi
30/0/150	CF	30"hg / 20 psi	5"hg / 2 psi
30/0/300	CH	30"hg / 50 psi	10"hg / 5 psi
0/15	B	2 PSI	.2 PSI
0/30	C	5 PSI	.5 PSI
0/60	D	10 PSI	1 PSI
0/100	E	20 PSI	2 PSI
0/160	F	20 PSI	2 PSI
0/200	G	40 PSI	5 PSI
0/300	H	50 PSI	5 PSI
0/400	I	50 PSI	5 PSI
0/600	K	100 PSI	10 PSI
0/1000	M	200 PSI	20 PSI
0/1500	N	200 PSI	20 PSI
0/2000	O	400 PSI	50 PSI
0/3000	P	500 PSI	50 PSI
0/5000	R	1000 PSI	100 PSI
0/6000	S	1000 PSI	100 PSI
0/10,000	U	2000 PSI	200 PSI



		A	B	C	D	E
1 1/2" Dial	In.	1.64"	.93"	.63"	2.27"	1/8"
	MM	42	24	16	58	MNPT
2" Dial	In.	2.07"	1.03"	.83"	2.90"	1/8" or 1/4"
	MM	53	26	21	74	MNPT
2 1/2" Dial	In.	2.5"	1.17"	.86"	3.36"	1/4"
	MM	63	30	22	26	MNPT
3 1/2" Dial	In.	3.53"	1.14"	1.02"	4.55"	1/4"
	MM	90	29	26	116	MNPT
4 1/2" Dial	In.	4.89"	1.16"	1.16"	6.05"	1/4"
	MM	124	29	30	154	MNPT



KODIAK CONTROLS



MODEL 'KC102D', BACK CONNECTED GAUGE

- An inexpensive utility gauge for the broad commercial and industrial markets.
- Suitable for air, water, oil, gas or any other media not corrosive to brass.
- Other connection locations, mounting styles and accessories available.
- Ready for immediate shipment upon request.

AVAILABLE DIAL SIZES:

1 1/2", 2", 2 1/2", 3 1/2", 4 1/2"

AVAILABLE CONNECTION SIZES:

1/8"NPT on 1 1/2" and 2"Dial Sizes

1/4"NPT on 2" Thru 4 1/2"Dial Sizes

GENERAL SPECIFICATIONS:

Black Steel Case With Chrome Bezel
(Stainless Steel Case Available)

Brass Socket And Movement

Phosphor Bronze Bourdon Tube

Dry Non-Fillable

3-2-3 % Accuracy

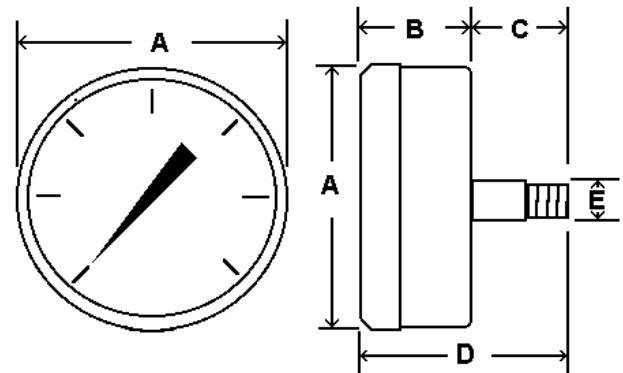
Ambient Temperature: -50 to 160°F

DIAL SCALE:

DUAL SCALE: PSI & BAR (x100=kPa) STANDARD

SINGLE SCALE: PSI ONLY AVAILABLE

OTHER: BY SPECIAL REQUEST



RANGE	CODE	Major Inc.	Minor Inc.
30/0"VAC	A	5" hg	.5" hg
30/0/15	CB	10"hg / 5 psi	1"hg / .5 psi
30/0/30	CC	10"hg / 10 psi	1"hg / 1 psi
30/0/60	CD	10"hg / 10 psi	2"hg / 1 psi
30/0/100	CE	30"hg / 20 psi	5"hg / 2 psi
30/0/150	CF	30"hg / 20 psi	5"hg / 2 psi
30/0/300	CH	30"hg / 50 psi	10"hg / 5 psi
0/15	B	2 PSI	.2 PSI
0/30	C	5 PSI	.5 PSI
0/60	D	10 PSI	1 PSI
0/100	E	20 PSI	2 PSI
0/160	F	20 PSI	2 PSI
0/200	G	40 PSI	5 PSI
0/300	H	50 PSI	5 PSI
0/400	I	50 PSI	5 PSI
0/600	K	100 PSI	10 PSI
0/1000	M	200 PSI	20 PSI
0/1500	N	200 PSI	20 PSI
0/2000	O	400 PSI	50 PSI
0/3000	P	500 PSI	50 PSI
0/5000	R	1000 PSI	100 PSI
0/6000	S	1000 PSI	100 PSI
0/10,000	U	2000 PSI	200 PSI

		A	B	C	D	E
1" Dial	In.	.99"	.64"	.46"	1.10"	1/8"
	MM	25	16	12	28	MNPT
1 1/2" Dial	In.	1.64"	.93"	.63"	1.56"	1/8" or 1/4"
	MM	42	24	16	39	MNPT
2" Dial	In.	2.07"	1.03"	.83"	1.86"	1/4"
	MM	53	26	21	47	MNPT
2 1/2" Dial	In.	2.50"	1.17"	.86"	2.03"	1/4"
	MM	63	30	22	52	MNPT
3 1/2" Dial	In.	3.97"	1.19"	.83"	2.02"	1/4"
	MM	101	30	21	51	MNPT
4 1/2" Dial	In.	4.5"	1.34"	.84"	2.18"	1/4"
	MM	114	34	21	55	MNPT



KODIAK CONTROLS



MODEL 'KC103D', PANEL MOUNT GAUGE

A durable Dry type utility gauge designed to look good from the front or back of the panel. These gauges are suitable for air, water, oil, gas or any other media not corrosive to brass. Other connection locations, mounting styles and accessories are also available.

AVAILABLE DIAL SIZES:

1 1/2", 2", 2 1/2", 3 1/2"

AVAILABLE CONNECTION SIZES:

1/8"NPT on 1 1/2" and 2"Dial Sizes

1/4"NPT on 2" Thru 3 1/2"Dial Sizes

GENERAL SPECIFICATIONS:

Chrome Plated Steel Case & Bezel
(Stainless Steel Case Available)

Brass Socket And Movement
Phosphor Bronze Bourdon Tube

Dry Non-Fillable

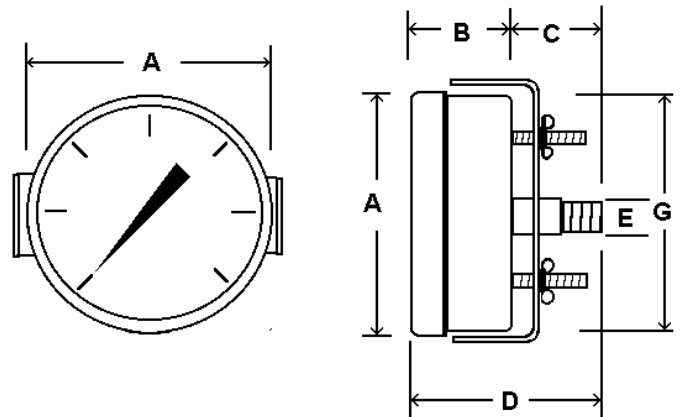
3-2-3 % Accuracy

Ambient Temperature: -50 to 160°F

DIAL SCALE:

DUAL SCALE: PSI & BAR (x100=kPa) STANDARD

OTHER: BY SPECIAL REQUEST



RANGE	CODE	Major Inc.	Minor Inc.
30/0"VAC	A	5" hg	.5" hg
30/0/15	CB	10"hg / 5 psi	1"hg / .5 psi
30/0/30	CC	10"hg / 10 psi	1"hg / 1 psi
30/0/60	CD	10"hg / 10 psi	2"hg / 1 psi
30/0/100	CE	30"hg / 20 psi	5"hg / 2 psi
30/0/150	CF	30"hg / 20 psi	5"hg / 2 psi
30/0/300	CH	30"hg / 50 psi	10"hg / 5 psi
0/15	B	2 PSI	.2 PSI
0/30	C	5 PSI	.5 PSI
0/60	D	10 PSI	1 PSI
0/100	E	20 PSI	2 PSI
0/160	F	20 PSI	2 PSI
0/200	G	40 PSI	5 PSI
0/300	H	50 PSI	5 PSI
0/400	I	50 PSI	5 PSI
0/600	K	100 PSI	10 PSI
0/1000	M	200 PSI	20 PSI
0/1500	N	200 PSI	20 PSI
0/2000	O	400 PSI	50 PSI
0/3000	P	500 PSI	50 PSI
0/5000	R	1000 PSI	100 PSI
0/6000	S	1000 PSI	100 PSI
0/10,000	U	2000 PSI	200 PSI

		A	B	C	D	G	E
1 1/2" Dial	In.	1.82	1.03	.61	1.64	1.59	1/8" or 1/4 MNPT
	MM	46	26	15	42	40	
2" Dial	In.	2.31	1.17	.73	1.90	2.02	1/4 MNPT
	MM	59	30	18.5	48.5	51	
2 1/2" Dial	In.	2.68	1.19	.76	1.95	2.46	1/4 MNPT
	MM	68	30	19	50	63	
3 1/2" Dial	In.	3.97	1.19	.83	2.02	3.59	1/4 MNPT
	MM	101	30	21	51	91	



KC104D PANEL MOUNT

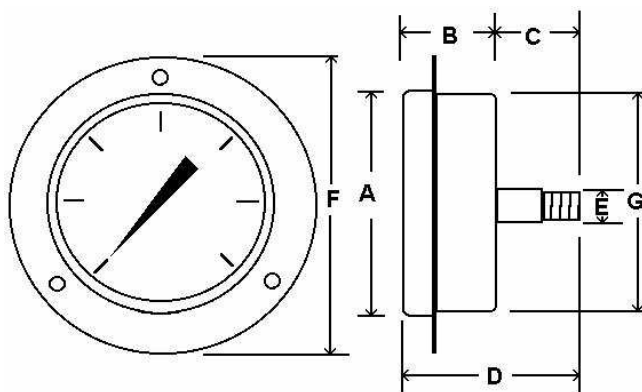
A durable dry type utility gauge designed to look good from the front or back of the panel. These gauges are suitable for air, water, oil, gas or any other media not corrosive to brass. Other connection locations, mounting styles and accessories are also available. Ready for immediate shipment upon request.

SPECIFICATIONS:

- AVAILABLE DIAL SIZES:** 1 1/2", 2", 2 1/2", 3 1/2"
- AVAILABLE CONNECTION SIZES:**
 - 1/8"NPT on 1 1/2" and 2"Dial Sizes
 - 1/4"NPT on 2" Thru 3 1/2"Dial Sizes
- Chrome Plated Steel Case, Chrome Bezel**
- Phosphour Bronze Bourdon Tube**
- Brass Socket**
- Polycarbonate Lens**
- 3-2-3 % Accuracy**
- Dry Non-Fillable**
- Ambient Temperature: -50 to 160°F**
- Dual scale: PSI & Bar (x100=kpa)** *standard available*
- Single scale: PSI only** *available*
- Other:** *by special request*



RANGE	CODE	Major Inc.	Minor Inc.
30/0"VAC	A	5" hg	.5" hg
30/0/15	CB	10"hg / 5 psi	1"hg / .5 psi
30/0/30	CC	10"hg / 10 psi	1"hg / 1 psi
30/0/60	CD	10"hg / 10 psi	2"hg / 1 psi
30/0/100	CE	30"hg / 20 psi	5"hg / 2 psi
30/0/150	CF	30"hg / 20 psi	5"hg / 2 psi
30/0/300	CH	30"hg / 50 psi	10"hg / 5 psi
0/15	B	2 PSI	.2 PSI
0/30	C	5 PSI	.5 PSI
0/60	D	10 PSI	1 PSI
0/100	E	20 PSI	2 PSI
0/160	F	20 PSI	2 PSI
0/200	G	40 PSI	5 PSI
0/300	H	50 PSI	5 PSI
0/400	I	50 PSI	5 PSI
0/600	K	100 PSI	10 PSI
0/1000	M	200 PSI	20 PSI
0/1500	N	200 PSI	20 PSI
0/2000	O	400 PSI	50 PSI
0/3000	P	500 PSI	50 PSI
0/5000	R	1000 PSI	100 PSI
0/6000	S	1000 PSI	100 PSI
0/10,000	U	2000 PSI	200 PSI



		A	B	C	D	F	G	E
1 1/2" Dial	In.	1.82"	1.03"	.61"	.64"	2.47"	1.61"	1/8" MNPT
	MM	46	26	15	42	63	41	
2" Dial	In.	2.31"	1.17"	.73"	.90"	2.81"	2.02"	1/8 or 1/4 MNPT
	MM	59	30	18.5	48.5	71	51	
2 1/2" Dial	In.	2.68"	1.19"	.76"	.95"	3.44"	2.46"	1/4 MNPT
	MM	68	30	19	50	87	63	
3 1/2" Dial	In.	3.97"	1.19"	.83"	2.02"	4.30"	3.59"	1/4 MNPT
	MM	101	30.2	21	51	109	91	